	B3020F	Brushless DC Fan	Output Power 输出功率	Weight 重量: 160g (Approx.)
		无刷直流风扇	率: 0.3W~5W	
3-Phase Brushless DC Fan- Specific for Refrigerator Condenser Fan 三相 无刷直流风扇-专用于电冰箱冷凝风扇				

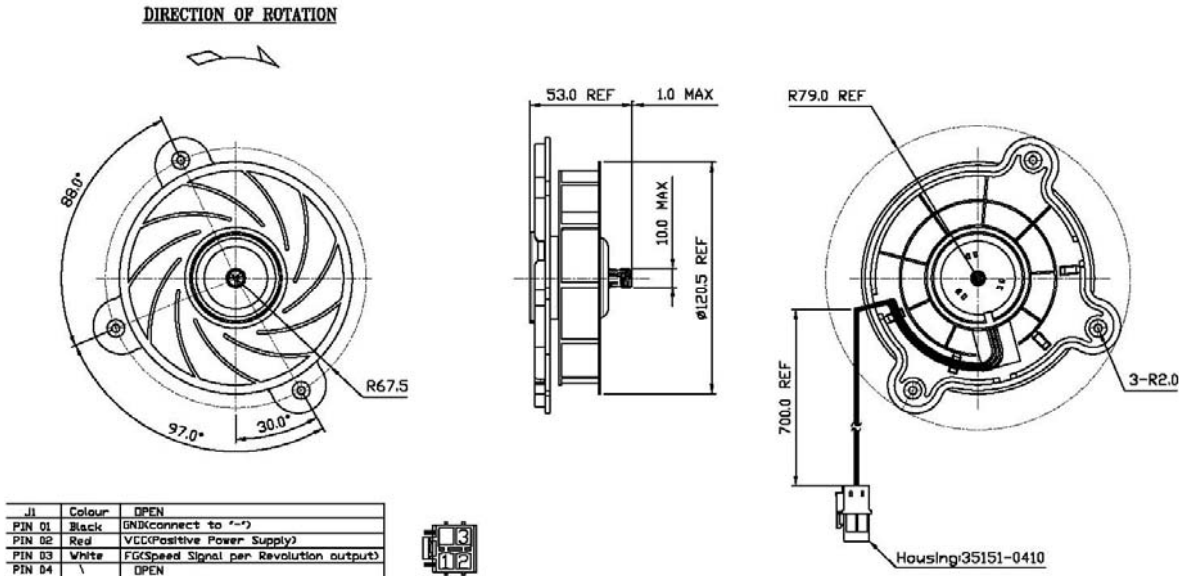
Model 型号	电压 Voltage(V)		No Load 空载		Rated Load 额定负载			Starting 启动		
	Operating Range	Rated	Speed (rpm)	Current (A)	Torque (mNm)	Speed (rpm)	Current (A)	Output P. (W)	Torque (mNm)	Current (A)
B3020F-S01	5-12	12	2943	0.075	5.101	1886	0.21	1.007	14.17	0.45

Characteristic: CW or CCW, Signal function available, Locked rotor protection, Low noise, Low EMI, Long life 5000 min hrs
特征: 单转向, 信号功能, 锁定保护, 低噪音, 低电磁干扰, 超长寿命 5000 min 小时

Notice: Data in this typical specification sheet are for other certain customer. Voltage, rated torque, speed, current, power and shaft extension feature & dimension can be changed to meet customer specific requirement.

注意: 上述规格仅针对特定客户, 电压、扭矩、转速、电流、功率、输出轴的特征和尺寸等都可以按照客户的特殊要求进行调整。

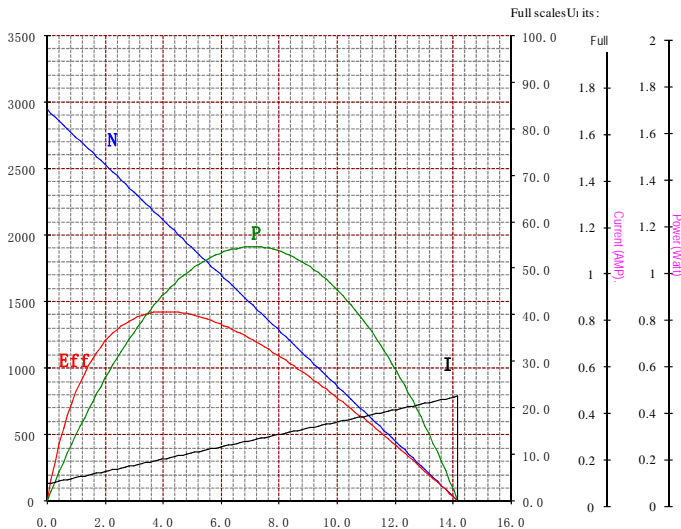
Outline Drawing 外形图: (Unit: Millimeter)



Performance Curve 性能曲线:

B3020F-S01

12V DC



地址: 广东省深圳市宝安区福永街道新田大道 71-1 号福宁高新产业园 A 栋

Address: Building A, Funing Hi-tech Park, 71-1# Xintian Road, Fuyong, Baoan District, Shenzhen City, Guangdong Province, China.

电话 Tel: 86-755-2916 9292 传真 Fax: 86-755-2916 9007 邮箱 Email: sales@hengdrive.com 网址 Http://www.hengdrive.com